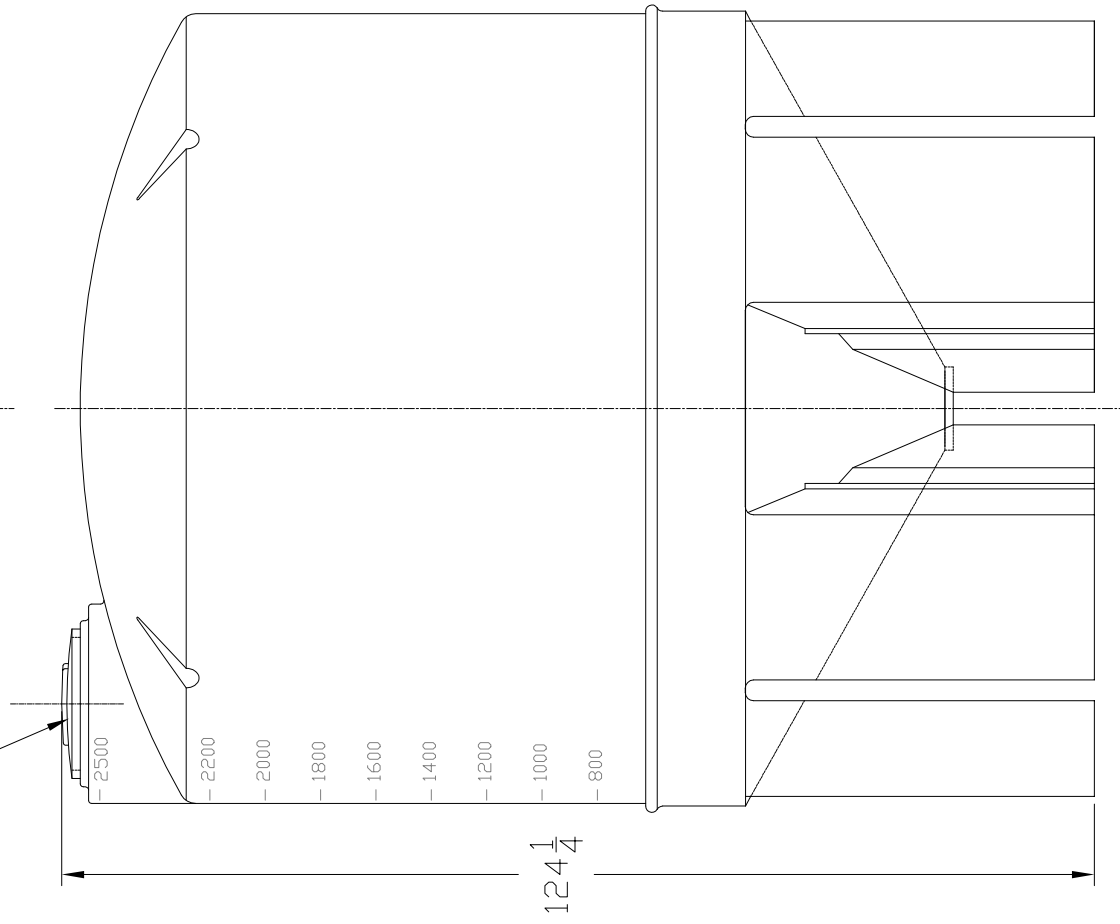


$\phi 16$   
ACCESS IS  
STANDARD



THIS DRAWING & DESIGN IS THE PROPERTY OF CHEM-TAINER INDUSTRIES INC. IT MAY NOT BE USED FOR ANY PURPOSE OTHER THAN BY THE OWNER. CHEM-TAINER DOES NOT AUTHORIZE THE REPRODUCTION OR CONVEYANCE OF ANY INFORMATION CONTAINED HEREIN.

ALL DIMENSIONS SHOWN ARE OUTSIDE PART DIMENSIONS IN INCHES, AND VARY BY THE STANDARD ROTATIONAL MOLDING TOLERANCE OF  $\pm 2\%$ .

Rev. 0	Date 07/18/00	File Name JP2500-1	
<b>CHEM-TAINER</b> Industries Inc. 361 Neptune Ave. W.Babylon, NY 11704 (631) 661-8300 Fax: (631) 661-8209		Date 07/18/00	Mold Location 00
		Drawn By: IIA	Cust. Rep.
TITLE 2500 GAL. CONE BOTTOM BULK STORAGE TANK W/ STAND			
Part # TN2500JP		Dwg. # C-2500-2N	